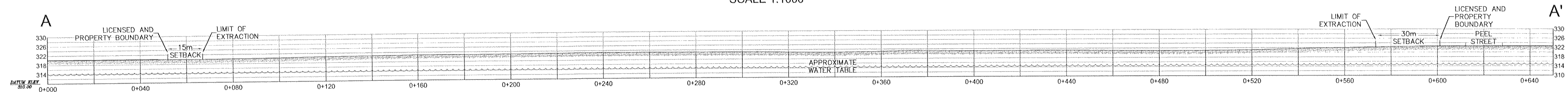
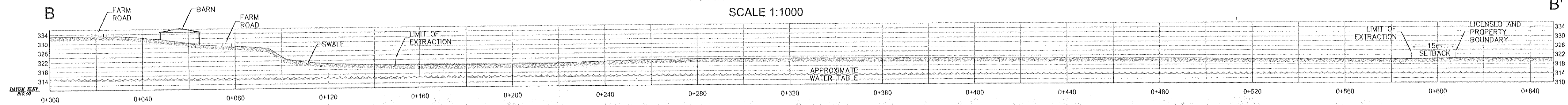


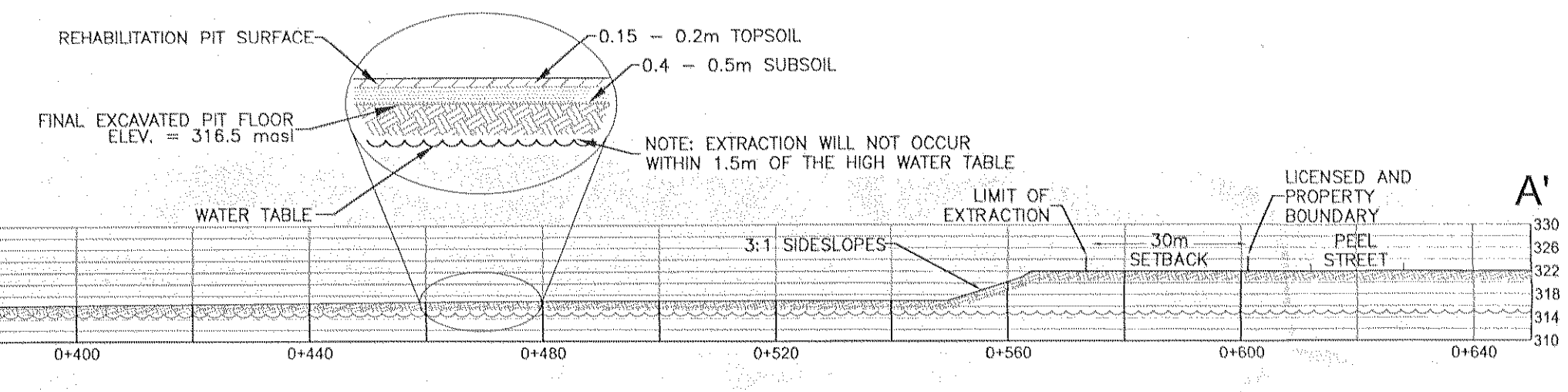
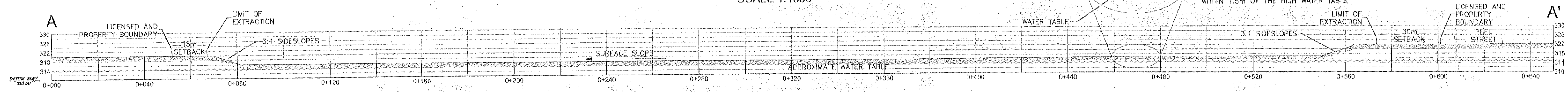
CROSS SECTION A - A'
FROM EXISTING FEATURES PLAN
Located on Sheet 1 of 4
SCALE 1:1000



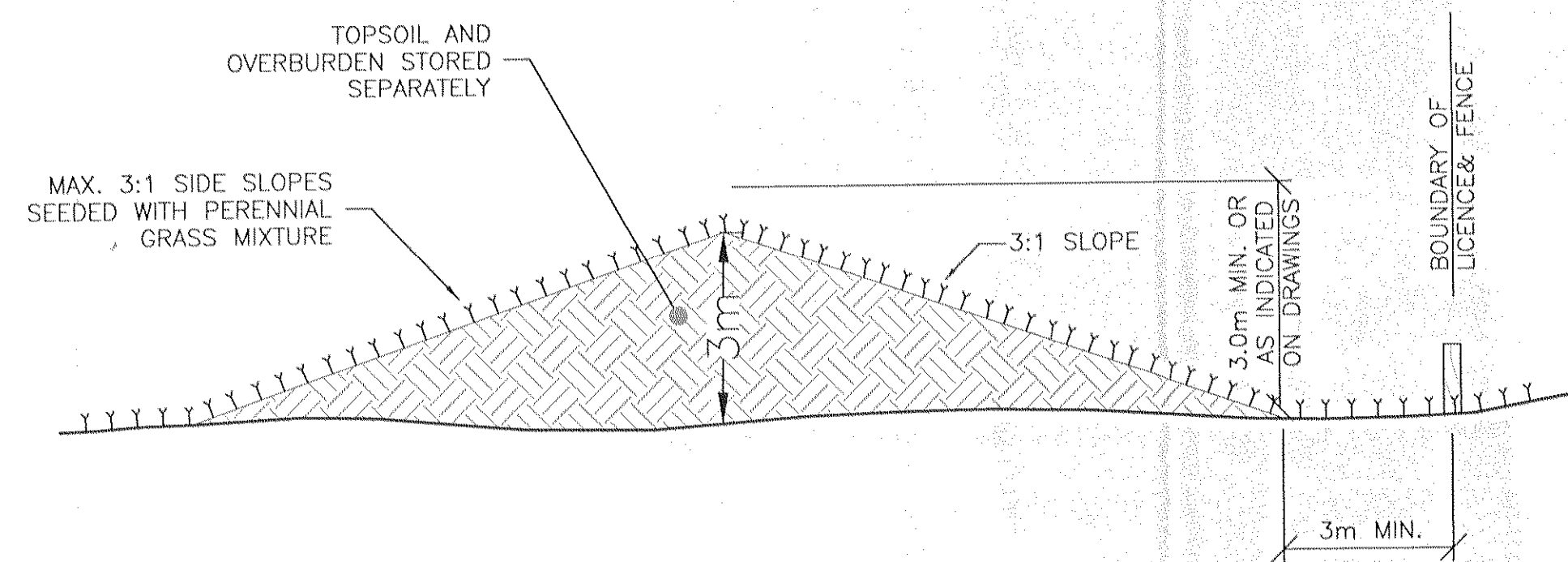
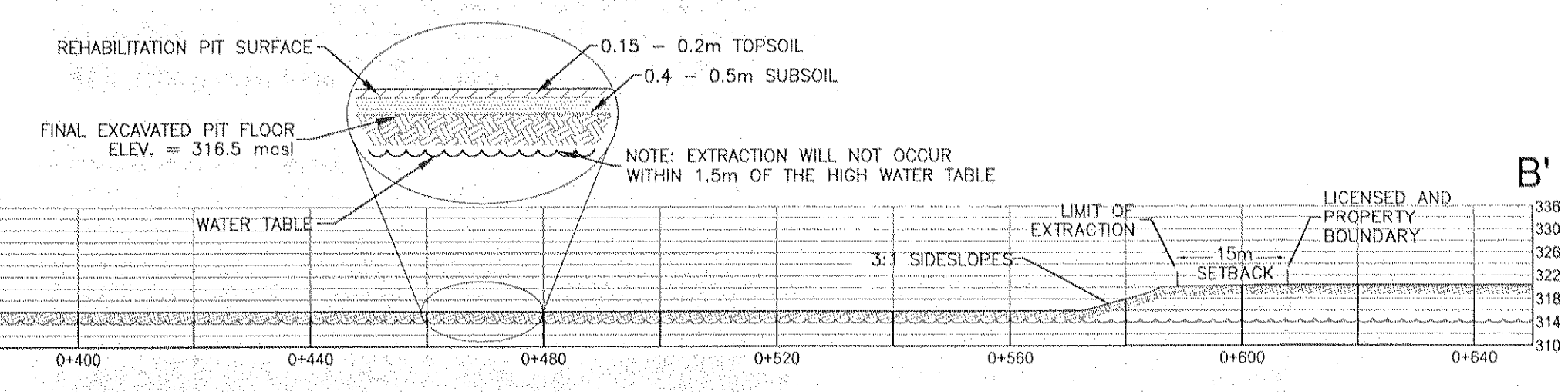
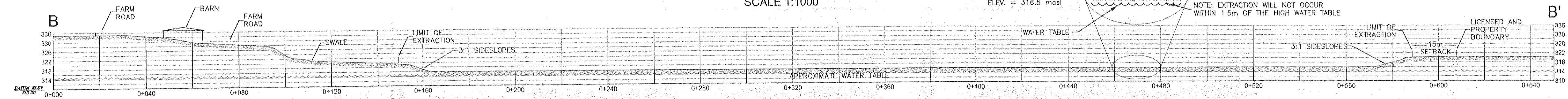
CROSS SECTION B - B'
FROM EXISTING FEATURES PLAN
Located on Sheet 1 of 4
SCALE 1:1000



CROSS SECTION A - A'
FROM REHABILITATION PLAN
Located on Sheet 3 of 4
SCALE 1:1000



CROSS SECTION B - B'
FROM REHABILITATION PLAN
Located on Sheet 3 of 4
SCALE 1:1000



TYPICAL BERM DESIGN
SCALE : N.T.S.

NOTES

1. EXTRACTION OF AGGREGATE WILL NOT OCCUR WITHIN 1.5m OF THE HIGH WATER TABLE

No.	DATE	BY	REVISIONS PRIOR TO APPROVAL
1	MMDDYYYY	XXX	DESC
			SITE PLAN AMENDMENTS

THESE SITE PLANS ARE CERTIFIED BY THE UNDERSIGNED BY THE AUTHORITY OF MINISTERIAL APPROVAL AS SPECIFIED IN THE AGGREGATE RESOURCES ACT SECTION 8 (4) FOR A CLASS A, LICENSE CATEGORY 3 PIT.

DECEMBER 15, 2008
DATE

SCALE AS NOTED

IBI GROUP
379 QUEEN STREET SOUTH
KITCHENER, ONTARIO
N2G 1W6
(519) 745-9455
www.ibigroup.com

KUNTZ TOPSOIL, SAND & GRAVEL LTD.
650 WEBER STREET NORTH
WATERLOO, ONTARIO
N2V 2N2

PART OF LOT 3
BROKEN FRONT CONCESSION - CROOKS TRACT
TOWNSHIP OF WOOLWICH
REGION OF WATERLOO

JIGS HOLLOW PIT
CROSS SECTIONS